

## Stairs and platforms

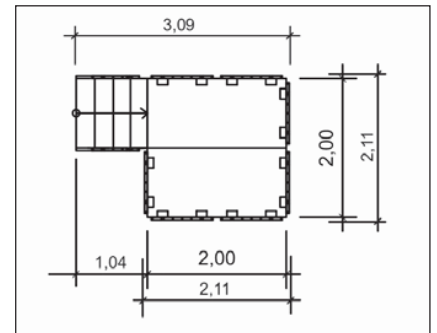
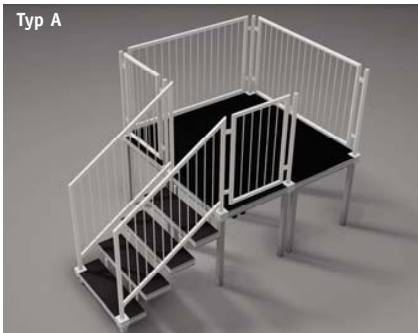
Deadline  
**08/01/16**  
**23/06/16**

B 10  
 GB  
 2016

For incomplete documentations and all orders submitted less than 21 days before set-up time Messe Düsseldorf adds a surcharge of 35% on the fees.

Hall/Stand number

Ident-Nr.	Amount ordered	All stand construction dimensions must be divisible by 0.5!	Unit	Rental price per unit in € plus VAT
<b>Platform type A: stairs and platform with stainless steel railings, including covering with carpet in standard colour (2 x 2 m, height 1 m)</b>				
7861		Without side facing	each	1,786.05
7866		Side facing molleton (standard colour)	each	2,258.85
7867		Side facing synthetic material white	each	1,943.65
7868		Side facing mono-colour painted (standard colour)	each	2,101.25
7869		Higher than 1 m up to max. 2 m	per 20 cm	241.65
		Other colours and sizes on request subject to surcharge		
<b>Platform type B: stairs and platform with steel railings, black, including covering with carpet in standard colour (2 x 2 m, height 1 m)</b>				
7874		Without side facing	each	945.55
7876		Side facing molleton (standard colour)	each	1,418.35
7877		Side facing synthetic material white (standard colour)	each	1,103.15
7878		Side facing mono-colour painted (standard colour)	each	1,260.75
7879		Higher than 1 m up to max. 2 m	per 20 cm	189.10
		Other colours and sizes on request subject to surcharge		



- Keep clear a minimum space of 1m x 1m in front of the stairs.
- Platforms may only be installed on the hall floor. Should a raised floor be laid around the platform, make sure that all steps have the same height in the finished state. Should the customer request the stairs to be installed on a platform, appropriate load distribution must be ensured and if need be structural certification must be submitted.
- Exhibitors shall protect any transits to, and areas between, exhibits against falls from a height.
- Areas below platforms must not be used, not even for material storage purposes.
- A technical inspection of the platforms is included in the price. Additional inspections for other stand structures must be registered and paid for by exhibitors.



Order online! <http://www.oos.messe-duesseldorf.de> > Order Forms > Trade Fair Stand

We hereby order the following services for hire in accordance with the Conditions of Participation and Technical Guidelines.

Name of the company \_\_\_\_\_  
 Street \_\_\_\_\_  
 Postal code and place \_\_\_\_\_  
 Country \_\_\_\_\_

Contact \_\_\_\_\_  
 Telephone \_\_\_\_\_  
 Telefax \_\_\_\_\_  
 Email \_\_\_\_\_

Contractual partner and therefore recipient of the invoice shall always be the exhibitor.

Company Stamp, date, signature